

Wall mounted LED up and downlighters

The unique form and functional design of the Clara 180 provide a stylish architectural luminaire for interior applications. Clara 180 uses medium power LEDs mounted onto specially designed circuit boards which provide excellent thermal management and LED failure protection. A super efficient reflector directs the light out of the luminaire and achieves 134.6 lumens per circuit watt. Please also see Clara 90 and Clara 360.

Applications: corridors, stairwells, reception areas, meeting rooms, pillars in open plan offices.

- Can be mounted horizontally or vertically
- Up and downlighter or uplighter only version
- SmartScan wireless technology removes the need for control cabling. Ideal for retro-fit

Notes: Uplighter only version can also be used as a downlighter



IP40

Up to 134.6 LL/CW

SMARTSCAN

LUXGUARD

Specification

Mounting	Surface	IP rating	IP40
Max presence detection height	8 m		

Lighting

Optic	Satin cover	Lumen output	1,560 lm - 3,095 lm
Efficacy	Up to 134.6 LL/CW		

Emergency data

Emergency lumen output	190 lm - 380 lm	Emergency type	Maintained
Emergency duration	3 hours	Battery specification	Nickel Metal Hydride (NiMH)

Power

LED power	10 W - 20 W	Circuit power	13 W - 23 W
-----------	-------------	---------------	-------------

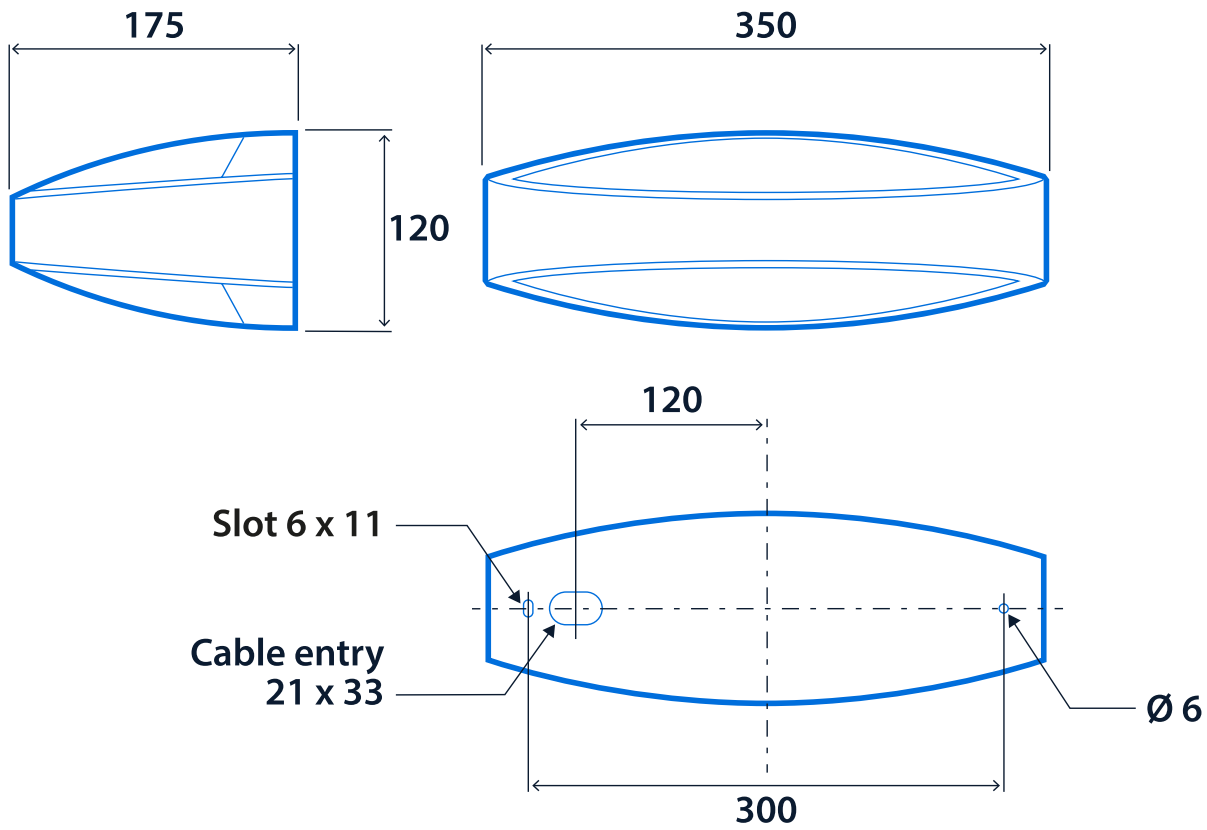
LED characteristics

CRI	80+	Colour temperature	4000 K
Rated life (hours)	100 K - L80/B10		

Compliance

UKCA	Yes	CE	Yes
Energy efficiency class	This product contains a light source of energy efficiency class B		

Dimensions





Click or scan here
View Clara 180 variants using
our online filtering tool



Information is correct as of 29-Dec-2024, however must not be interpreted as a guarantee of individual product performance and/or characteristics. We reserve the right to alter specifications and designs without prior notice.