

Recessed anti-ligature low wattage LED downlighters with remote control gear

Circular recessed anti-ligature luminaires. Choice of satin or clear prismatic 3 mm thick polycarbonate diffuser secured via high-pressure die-cast aluminium bezel using tamper-resistant pin Torx screws.

- Choice of 3mm thick prismatic polycarbonate or satin polycarbonate lens
- Remote phosphor mixing chamber
- Supplied with remote gear unit fitted with 2 m lead
- Cover secured using tamper-resistant T10 pin Torx screws



IP44 (IP20 above ceiling)

IK09

Up to 48.6 LL/CW

LED PROTECT

Specification

Mounting	Recessed	IP rating	IP44 (IP20 above ceiling)
Impact rating	IK09		

Lighting

Optic	Prismatic diffuser Satin diffuser	Lumen output	325 lm - 670 lm
Efficacy	Up to 48.6 LL/CW		

Emergency data

Emergency lumen output	85 lm	Emergency type	Maintained
Emergency duration	3 hours	Battery specification	Nickel Metal Hydride (NiMH)

Power

LED power	6 W - 12 W	Circuit power	7 W - 14 W
-----------	------------	---------------	------------

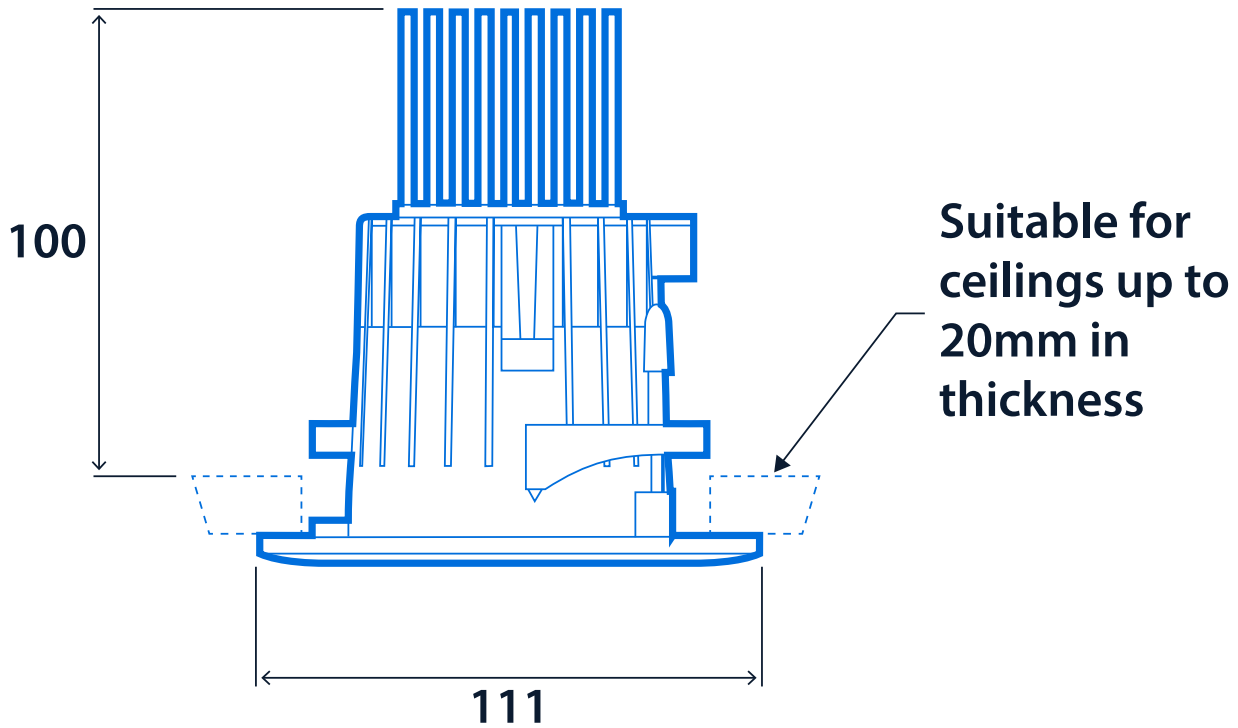
LED characteristics

CRI	80+	Colour temperature	4000 K
Rated life (hours)	100 K - L90/B10		

Compliance

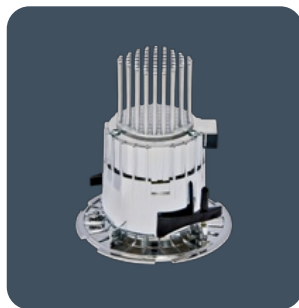
UKCA	Yes	CE	Yes
Energy efficiency class	This product contains a light source of energy efficiency class C		

Dimensions



Cut out - Ø 89

Minimum void depth for emergency and AutoTest versions - 165



Click or scan here
View G2 AL variants using our
online filtering tool



Information is correct as of 29-Dec-2024, however must not be interpreted as a guarantee of individual product performance and/or characteristics. We reserve the right to alter specifications and designs without prior notice.