

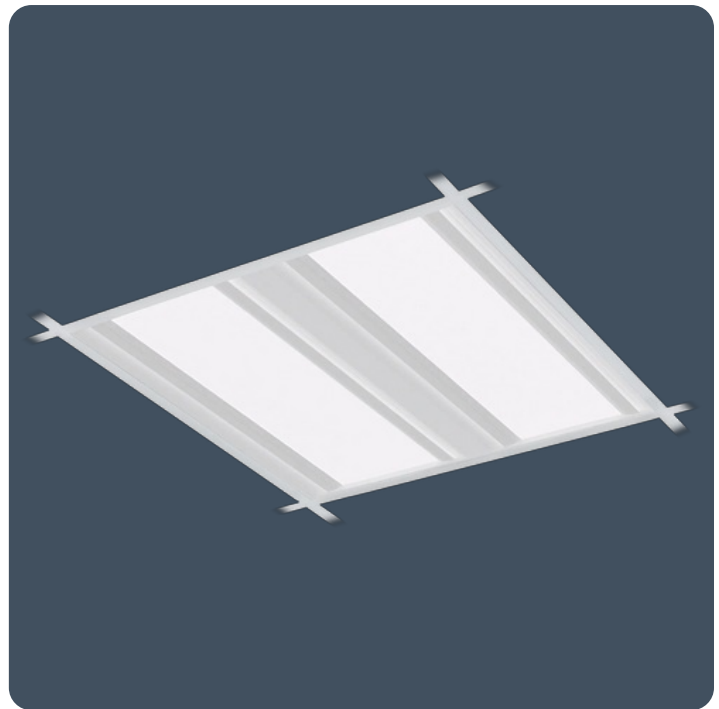
Air-handling low-glare recessed luminaires

The Hyline is a high quality edge-lit luminaire suitable for recessed lay-in ceilings. The homogeneously lit fire-retardant nanoprism diffuser aids compliance with LG7. Concealed air-handling vents allow airflow of up to 40 litres per second without any loss of performance.

In need of a bespoke solution?

Hyline can be supplied in a myriad of sizes and configurations to suit different ceiling types, including SAS120, 130 and 330 ceilings. Please contact the Thorlux Technical Services department for further information.

- Low glare optics for EN12464-1 / LG7 (<3000cd/m² @ 65°) or opal diffuser option
- Versions suitable for SAS120, 130 and 330 ceilings available to special order
- Air-handling as standard
- Edge-lit diffuser technology eliminates visible LEDs
- SmartScan wireless technology removes the need for control cabling. Ideal for retro-fit



Notes: Bespoke sizes available to special order

IP40 (IP20 above ceiling)

Up to 137.7 LL/CW

SMARTSCAN

LUXGUARD

Specification

Mounting	Recessed	IP rating	IP40 (IP20 above ceiling)
Nominal size	600 x 600 mm 1200 x 300 mm	Max presence detection height	8 m

Lighting

Optic	Low glare diffuser	Lumen output	3,150 lm - 5,360 lm
Efficacy	Up to 137.7 LL/CW		

Emergency data

Emergency lumen output	265 lm - 280 lm	Emergency type	Maintained
Emergency duration	3 hours	Battery specification	Nickel Metal Hydride (NiMH)

Power

LED power	23 W - 37 W	Circuit power	26 W - 39 W
-----------	-------------	---------------	-------------

LED characteristics

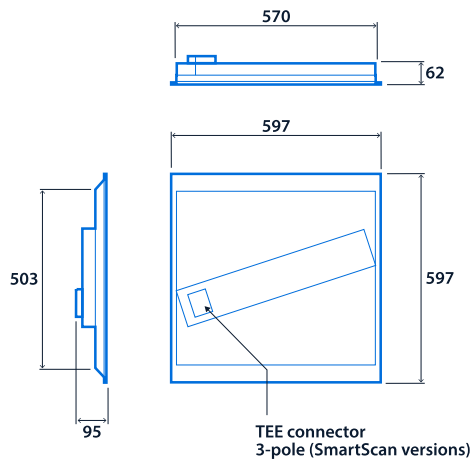
CRI	80+	Colour temperature	4000 K
Rated life (hours)	67 K - L80/B10		

Compliance

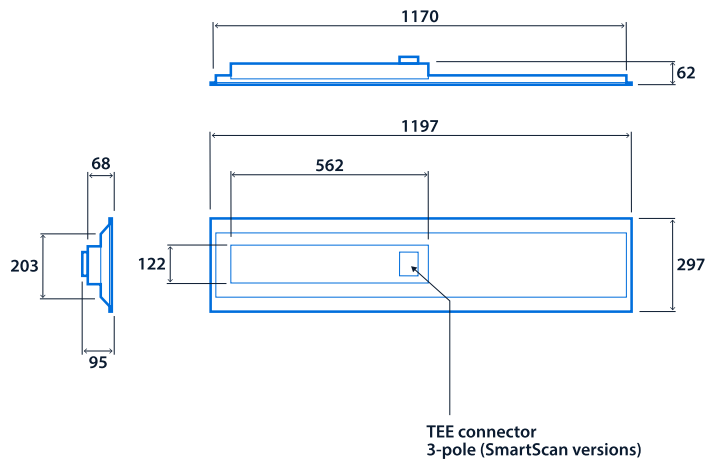
UKCA	Yes	CE	Yes
Energy efficiency class	This product contains a light source of Thermoplastic rating energy efficiency class A		TP(a)

Dimensions

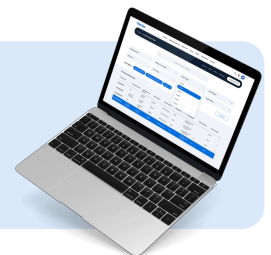
600 x 600



1200 x 300



Click or scan here
View Hyline variants using our
online filtering tool



Information is correct as of 29-Dec-2024, however must not be interpreted as a guarantee of individual product performance and/or characteristics. We reserve the right to alter specifications and designs without prior notice.