

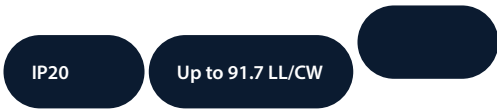
Adjustable recessed accent downlights

Recessed mounted display luminaires. 355° azimuth adjustment and a 60° vertical adjustment. 14 W or 20 W - 30° or 38° beam versions.

Applications: reception areas, retail, display, halls of residence, hotels, restaurants, public buildings.

- 38° beam angle
- 355° azimuth adjustment
- 60° vertical adjustment
- Supplied with remote gear unit fitted with 2 m lead
- Luminaires can be supplied pre-wired with a purpose made 1 m connection lead for plugging directly into the Smart Hub
- Fitted with CRI 90 LEDs with enhanced R9 value. Suitable for retail applications

Notes: Black and silver finishes and CRI 80 version available to special order (minimum order quantity applies)



Specification

Mounting	Recessed	IP rating	IP20
----------	----------	-----------	------

Lighting

Lumen output	1,430 lm - 2,110 lm	Efficacy	Up to 91.7 LL/CW
--------------	---------------------	----------	------------------

Power

LED power	14 W - 20 W	Circuit power	17 W - 23 W
-----------	-------------	---------------	-------------

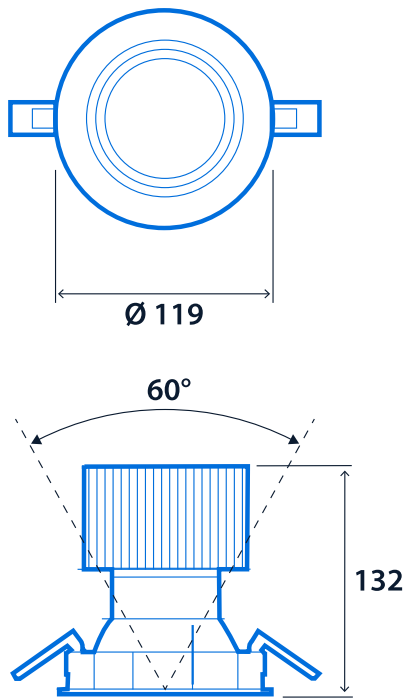
LED characteristics

CRI	90+	Colour temperature	3000 K 4000 K
Rated life (hours)	50 K - L70/B10		

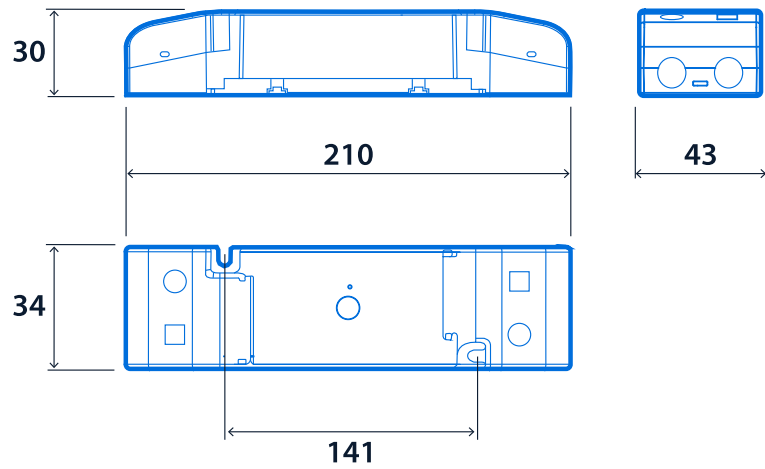
Compliance

UKCA	Yes	CE	Yes
Energy efficiency class	This product contains a light source of energy efficiency class E		

Dimensions



Standard Remote Driver



Cut-out - $\text{Ø } 110$
Minimum ceiling void - 180



[Click or scan here](#)
View Mina-M variants using our
online filtering tool



Information is correct as of 01-Jan-2025, however must not be interpreted as a guarantee of individual product performance and/or characteristics. We reserve the right to alter specifications and designs without prior notice.