

## Small LED emergency bulkhead luminaires

General purpose bulkhead with clear prismatic or opal polycarbonate cover. Optional self adhesive legend kit.

Applications: emergency lighting in light industrial areas and cable tunnels.

- 16.4 m maximum viewing distance in accordance with BS EN 1838 when using legend kits
- Optional self-adhesive legend kit
- Complies with M.O.D. JSP482 Chapter 8 Document for 'Category C' areas
- SmartScan wireless technology removes the need for control cabling. Ideal for retro-fit
- SmartScan Radar versions with sensor discretely hidden behind the cover

Notes: Radar and clear cover versions not suitable for use with Legend Kits



IP65

Up to 114.2 LL/CW

SMARTSCAN

LUXGUARD

### Specification

Mounting	Surface	IP rating	IP65
Max presence detection height	4 m		

### Lighting

Optic	Linear prismatic cover Opal cover	Lumen output	590 lm - 685 lm
Efficacy	Up to 114.2 LL/CW		

### Emergency data

Maximum viewing distance	16.5 m	Emergency lumen output	210 lm - 310 lm
Emergency type	Maintained Non-maintained	Emergency duration	3 hours
Battery specification	Nickel Metal Hydride (NiMH)		

### Power

LED power	4 W	Circuit power	6 W
-----------	-----	---------------	-----

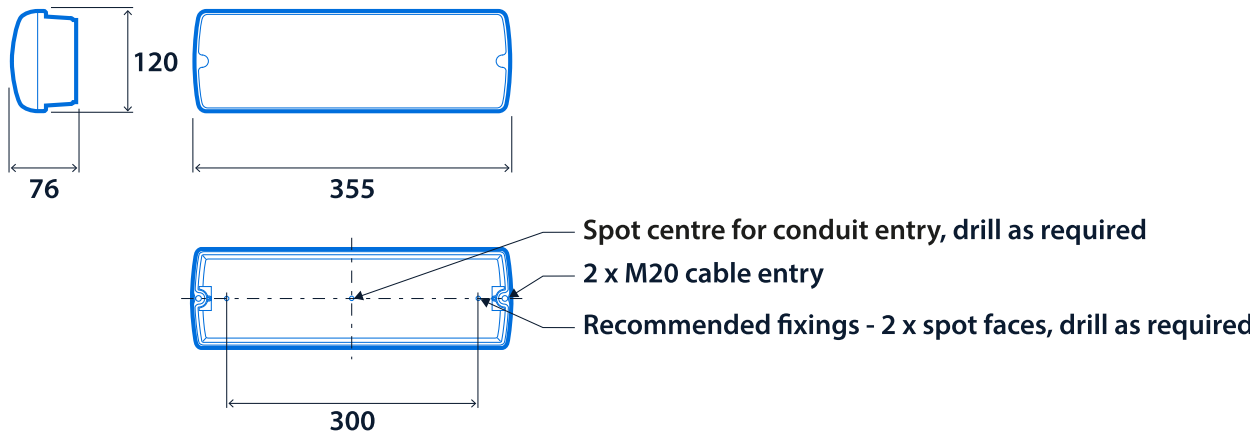
### LED characteristics

CRI	80+	Colour temperature	4000 K
Rated life (hours)	100 K - L80/B10		

## Compliance

UKCA	Yes	CE	Yes
Energy efficiency class	This product contains a light source of Ball impact resistance energy efficiency class B		DIN EN 18032 Part 3 and DIN VDE 0710 Part 13
MOD compliance	JSP482 Chapter 8 Document for 'Category C' areas		

## Dimensions



**Click or scan here**  
View Mini-8 variants using our online filtering tool



Information is correct as of 29-Dec-2024, however must not be interpreted as a guarantee of individual product performance and/or characteristics. We reserve the right to alter specifications and designs without prior notice.