

## Low light level, wall mounted luminaires

Stylish IP66 wall mounted luminaires. Strong high-pressure die-cast aluminium body with injection moulded UV stabilised polycarbonate cover.

Applications: Schools, hospitals, retail and other commercial environments. Final exit door illumination.

Complements its larger brother the Realta.

- Maintained or non-maintained emergency options
- SmartScan wireless technology removes the need for control cabling. Ideal for retro-fit



IP66
IK11
68.8 LL/CW
SMARTSCAN
LUXGUARD

### Specification

Mounting	Surface	IP rating	IP66
Impact rating	IK11		

### Lighting

Lumen output	550 lm	Efficacy	68.8 LL/CW
--------------	--------	----------	------------

### Emergency data

Emergency lumen output	210 lm	Emergency type	Maintained
Emergency duration	3 hours	Battery specification	Nickel Metal Hydride (NiMH)

### Power

LED power	6 W	Circuit power	8 W
-----------	-----	---------------	-----

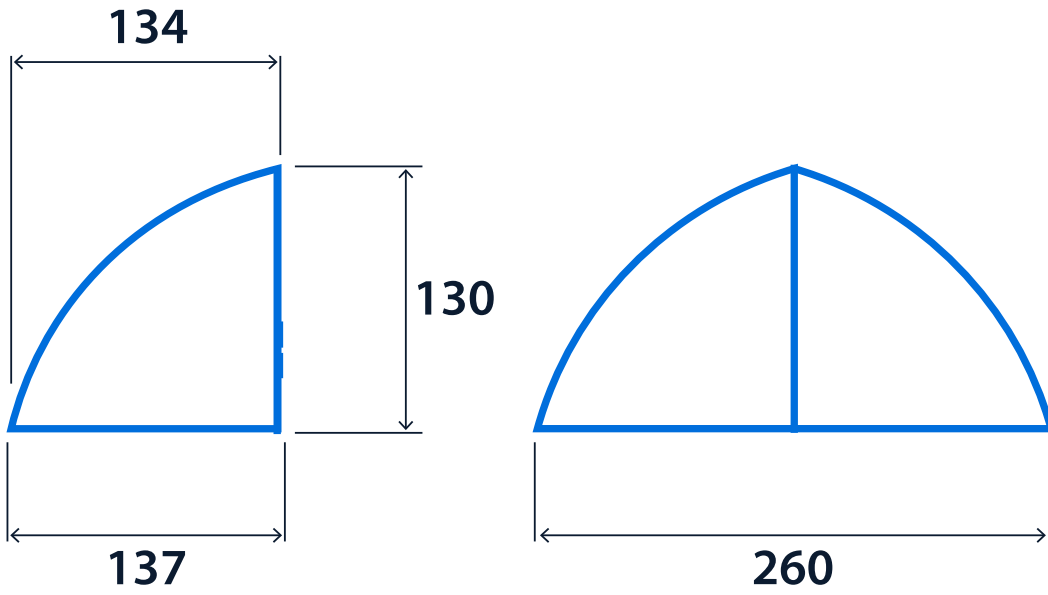
### LED characteristics

CRI	80+	Colour temperature	4000 K
Rated life (hours)	63 K - L80/B10		

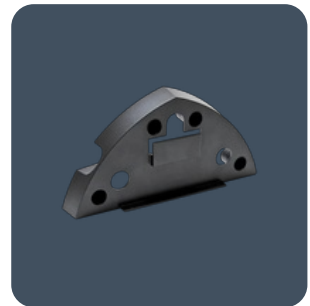
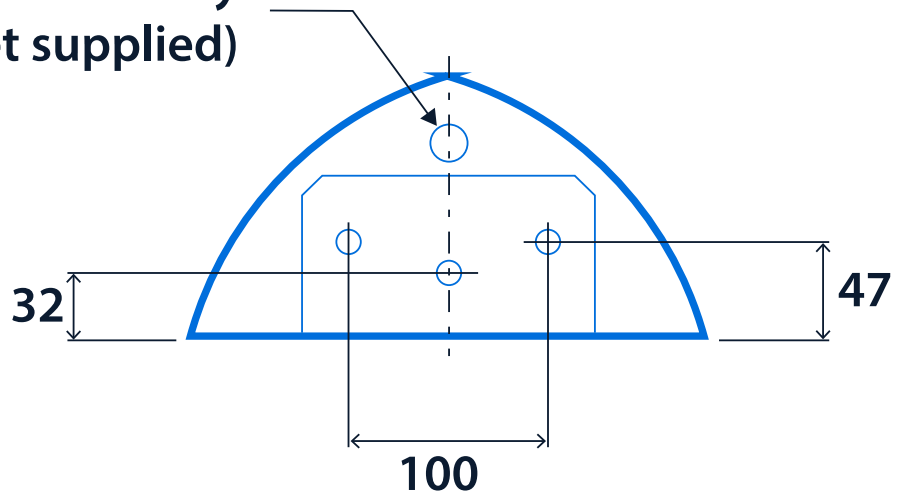
### Compliance

UKCA	Yes	CE	Yes
Energy efficiency class	This product contains a light source of energy efficiency class B		

## Dimensions



Ø 21 cable entry  
(IP54 grommet supplied)





**Click or scan here**  
**View Realta Micro variants using**  
**our online filtering tool**



Information is correct as of 29-Dec-2024, however must not be interpreted as a guarantee of individual product performance and/or characteristics. We reserve the right to alter specifications and designs without prior notice.