

## Opal polycarbonate diffuser luminaires

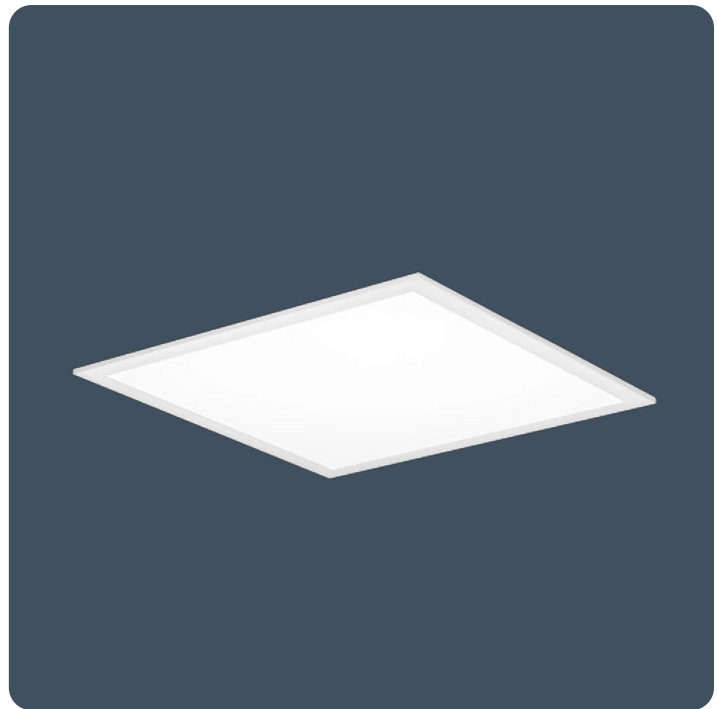
Highly efficient back-lit luminaires with an opal, polycarbonate diffuser.

SkyGlo is part of the SkyCore family, a range of luminaires designed with sustainability and circularity principles in mind. SkyCore luminaires use the Fast-Fix wiring enclosure and Thorlux patented LUX Guard technology for fast installation, future flexibility and prolonged life.

Available in; recessed, surface and pendant mounting options.

Applications: education, healthcare, break-out areas, canteens, circulation areas and toilets.

- Shallow body depth of 59 mm, 94 mm including the gearbox
- TM66 score of 2.7 - LIA/CIBSE certification scheme TSD-012 verified
- Suitable for most ceiling types with optional side arm suspensions and plasterboard mounting kits
- Designed to exclude dust, dirt and flies. All control gear is outside the LED enclosure
- Rapid installation using Fast-Fix wiring enclosure or SmartScan plug and play TEE connectors
- SmartScan wireless technology removes the need for control cabling. Ideal for retro-fit



Up to IP54 (IP20 above ceiling)

Up to IK09

Up to 153.1 LL/CW

SMARTSCAN

LUXGUARD

TM66 circularity score 2.7

### Specification

|                               |                                  |              |                                 |
|-------------------------------|----------------------------------|--------------|---------------------------------|
| Mounting                      | Recessed<br>Surface<br>Suspended | IP rating    | Up to IP54 (IP20 above ceiling) |
| Impact rating                 | Up to IK09                       | Nominal size | 600 x 600 mm<br>1200 x 300 mm   |
| Max presence detection height | 8 m                              |              |                                 |

### Sustainability

|                        |     |
|------------------------|-----|
| TM66 circularity score | 2.7 |
|------------------------|-----|

### Lighting

|          |                   |              |                     |
|----------|-------------------|--------------|---------------------|
| Optic    | Opal diffuser     | Lumen output | 2,665 lm - 5,410 lm |
| Efficacy | Up to 153.1 LL/CW |              |                     |

### Emergency data

|                        |         |                       |                             |
|------------------------|---------|-----------------------|-----------------------------|
| Emergency lumen output | 390 lm  | Emergency type        | Maintained                  |
| Emergency duration     | 3 hours | Battery specification | Nickel Metal Hydride (NiMH) |

### Power

|           |             |               |             |
|-----------|-------------|---------------|-------------|
| LED power | 15 W - 34 W | Circuit power | 18 W - 38 W |
|-----------|-------------|---------------|-------------|

**LED characteristics**

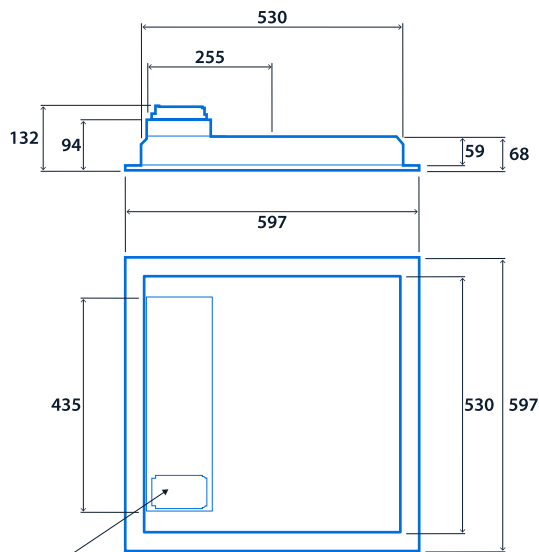
|                    |                       |                    |        |
|--------------------|-----------------------|--------------------|--------|
| CRI                | 80+                   | Colour temperature | 4000 K |
| Rated life (hours) | Up to 100 K - L90/B10 |                    |        |

**Compliance**

|                         |  |    |       |
|-------------------------|--|----|-------|
| UKCA                    | Yes  | CE | Yes   |
| Energy efficiency class | This product contains a light source of Thermoplastic rating energy efficiency class B |    | TP(a) |

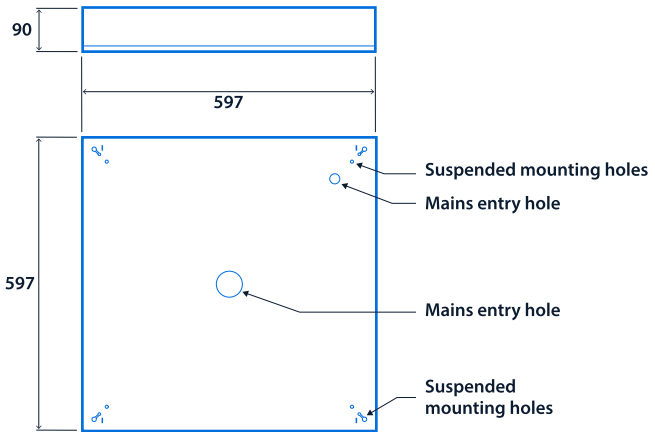
**Dimensions**

Recessed version 600 x 600

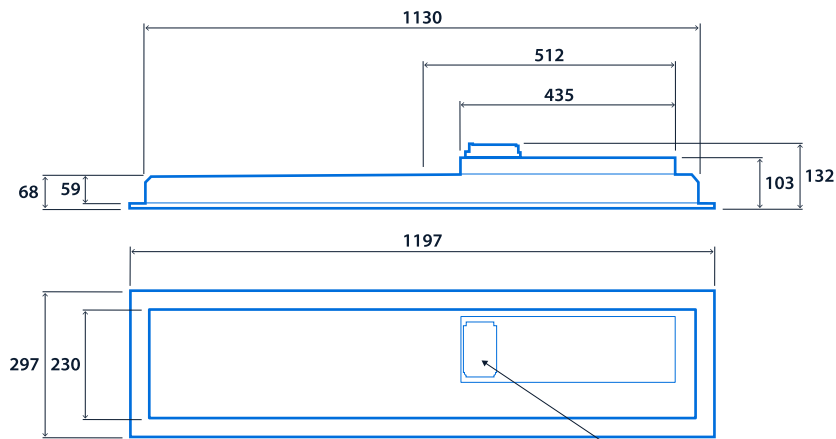


3-pole TEE (SmartScan versions)  
Fast-Fix wiring enclosure (Non-dimming and DALI versions)

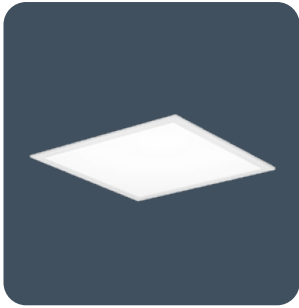
Surface/Suspended version 600 x 600



Recessed version 1200 x 300



3-pole TEE (SmartScan versions)  
Fast-Fix wiring enclosure (Non-dimming and DALI versions)



**Click or scan here**  
View SkyGlo variants using our  
online filtering tool



Information is correct as of 29-Dec-2024, however must not be interpreted as a guarantee of individual product performance and/or characteristics. We reserve the right to alter specifications and designs without prior notice.