

Low glare polycarbonate diffuser luminaires

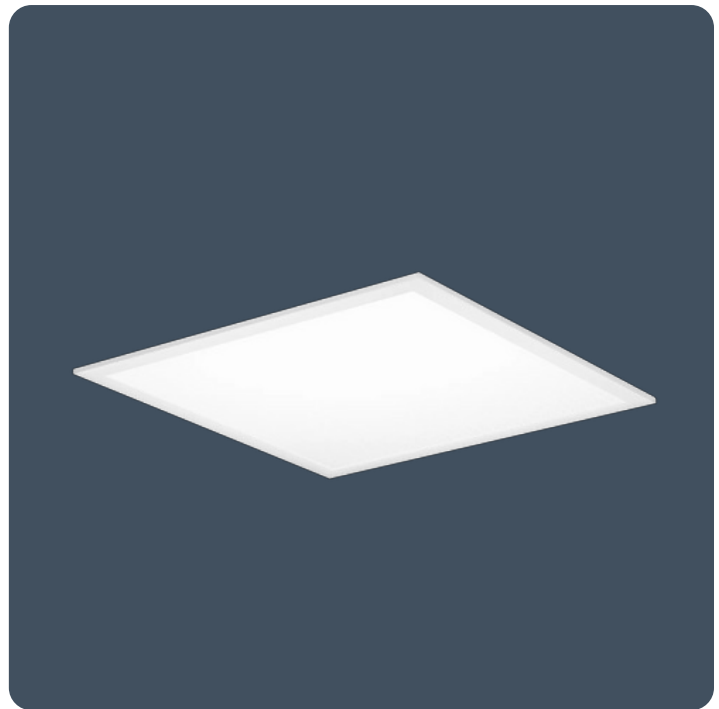
Highly efficient back-lit luminaires with a flat, low glare diffuser.

SkyPro is part of the SkyCore family, a range of luminaires designed with sustainability and circularity principles in mind. SkyCore luminaires use the Fast-Fix wiring enclosure and Thorlux patented LUX Guard technology for fast installation, future flexibility and prolonged life.

Available in; recessed, surface and pendant mounting options.

Applications: offices, teaching spaces, libraries, healthcare, meeting rooms and reception areas.

- Shallow body depth of 59 mm, 94 mm including the gearbox
- TM66 score of 2.7 - LIA/CIBSE certification scheme TSD-012 verified
- Suitable for most ceiling types with optional side arm suspensions and plasterboard mounting kits
- Designed to exclude dust, dirt and flies. All control gear is outside the LED enclosure
- Rapid installation using Fast-Fix wiring enclosure or SmartScan plug and play TEE connectors
- SmartScan wireless technology removes the need for control cabling. Ideal for retro-fit



Up to IP54 (IP20 above ceiling)

Up to IK09

Up to 150.3 LL/CW

TM66 circularity score 2.7

Specification

| | | | |
|---------------|----------------------------------|--------------|---------------------------------|
| Mounting | Recessed Surface Suspended | IP rating | Up to IP54 (IP20 above ceiling) |
| Impact rating | Up to IK09 | Nominal size | 600 x 600 mm 1200 x 300 mm |

Sustainability

| | |
|------------------------|-----|
| TM66 circularity score | 2.7 |
|------------------------|-----|

Lighting

| | | | |
|----------|--------------------|--------------|---------------------|
| Optic | Low glare diffuser | Lumen output | 2,705 lm - 5,380 lm |
| Efficacy | Up to 150.3 LL/CW | | |

Emergency data

| | | | |
|------------------------|-----------------|-----------------------|-----------------------------|
| Emergency lumen output | 390 lm - 400 lm | Emergency type | Maintained |
| Emergency duration | 3 hours | Battery specification | Nickel Metal Hydride (NiMH) |

Power

| | | | |
|-----------|-------------|---------------|-------------|
| LED power | 15 W - 34 W | Circuit power | 18 W - 38 W |
|-----------|-------------|---------------|-------------|

LED characteristics

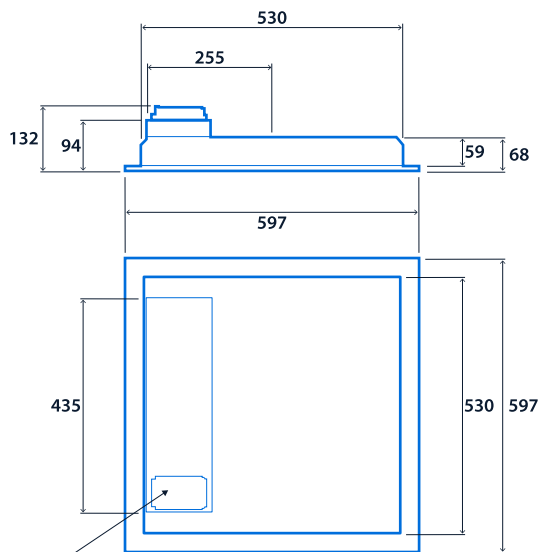
| | | | |
|--------------------|-----------------------|--------------------|--------|
| CRI | 80+ | Colour temperature | 4000 K |
| Rated life (hours) | Up to 100 K - L90/B10 | | |

Compliance

| | | | |
|-------------------------|--|----|-------|
| UKCA | Yes | CE | Yes |
| Energy efficiency class | This product contains a light source of Thermoplastic rating energy efficiency class B | | TP(a) |

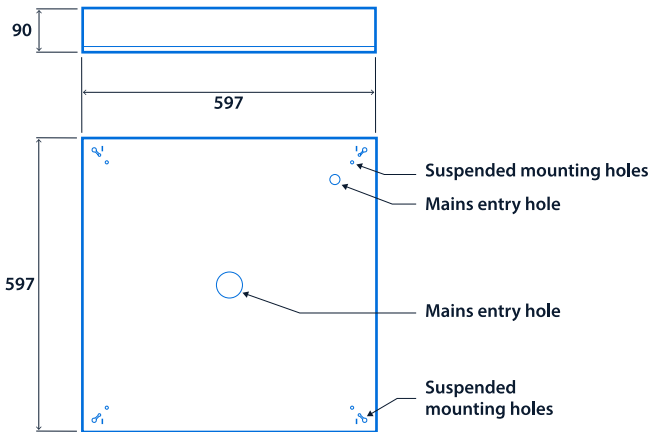
Dimensions

Recessed version 600 x 600

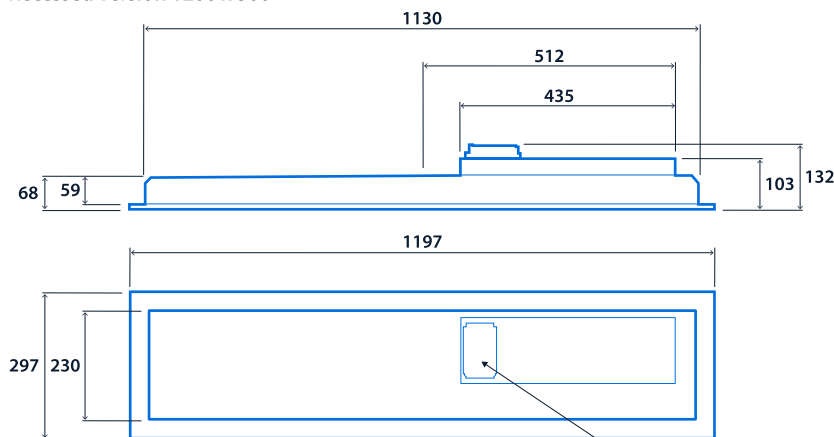


3-pole TEE (SmartScan versions)
Fast-Fix wiring enclosure (Non-dimming and DALI versions)

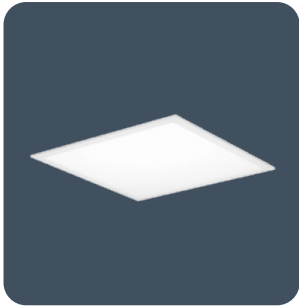
Surface/Suspended version 600 x 600



Recessed version 1200 x 300



3-pole TEE (SmartScan versions)
Fast-Fix wiring enclosure (Non-dimming and DALI versions)



Click or scan here
View SkyPro variants using our
online filtering tool



Information is correct as of 29-Dec-2024, however must not be interpreted as a guarantee of individual product performance and/or characteristics. We reserve the right to alter specifications and designs without prior notice.