

## Infra-red programmer for SmartScan luminaires

Infra-red programmer for SmartScan and Smart luminaires. Programs operational settings, reads luminaire status and initiates system tests. Configures wireless communications and mesh network for SmartScan luminaires.

- Rugged silicone sleeve for improved durability
- Sealed keypad
- Programs operational settings, reads luminaire status and initiates system tests
- Configures wireless communications and mesh network
- Tests emergency luminaires
- Reads back status information from SmartScan emergency luminaires and compatible SmartScan Sensors
- Powered by 4 AA batteries (supplied)



---

## Compliance

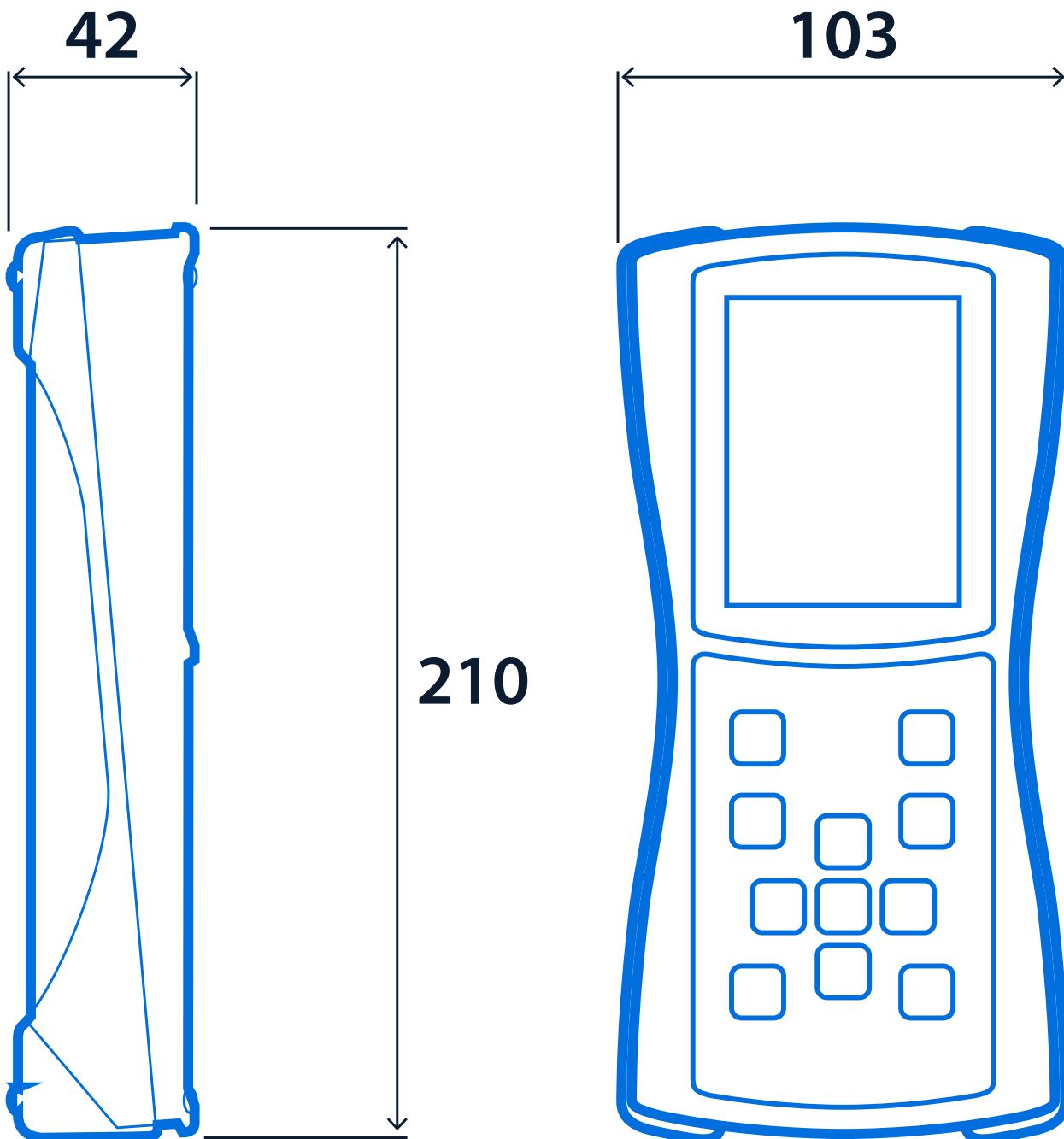
UKCA

Yes

CE

Yes

## Dimensions





**Click or scan here**  
View SmartScan Programmer  
variants using our online  
filtering tool



Information is correct as of 29-Dec-2024, however must not be interpreted as a guarantee of individual product performance and/or characteristics. We reserve the right to alter specifications and designs without prior notice.