

## Adjustable recessed accent spotlight luminaires

Recessed accent spotlight offering 355° azimuth and 85° vertical adjustment. Fitted with CRI 90 LEDs with enhanced R9 value. Suitable for retail applications

Applications: office, retail, reception areas.

- 46° beam angle
- 355° azimuth adjustment
- 85° vertical adjustment
- Sprung suspension arms for rapid installation
- Supplied with remote gear unit fitted with 0.5 m lead
- Can be supplied pre-wired with a purpose made 1 m connection lead for plugging directly into the Smart Hub
- Fitted with CRI 90 LEDs with enhanced R9 value. Suitable for retail applications

Notes: CRI 80 versions available to special order (minimum order quantity applies)



IP20

Up to 102.5 LL/CW

### Specification

Mounting	Recessed	IP rating	IP20
----------	----------	-----------	------

### Lighting

Lumen output	1,140 lm - 1,230 lm	Efficacy	Up to 102.5 LL/CW
--------------	---------------------	----------	-------------------

### Power

LED power	9 W	Circuit power	12 W
-----------	-----	---------------	------

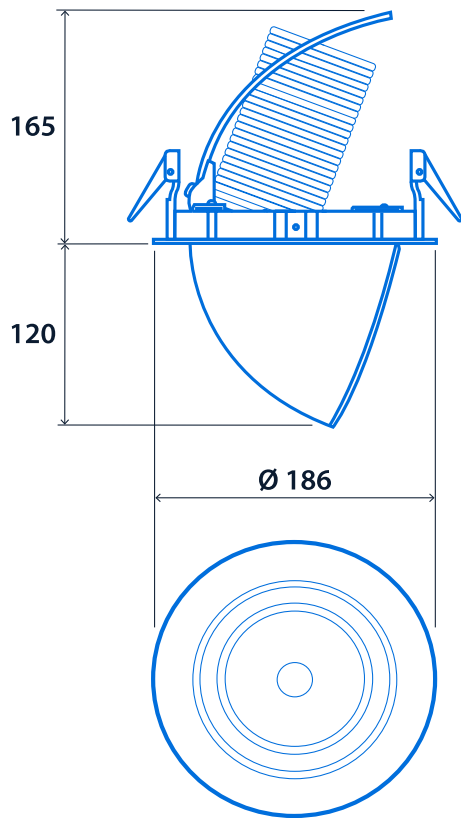
### LED characteristics

CRI	90+	Colour temperature	3000 K 4000 K
Rated life (hours)	60 K - L70/B10		

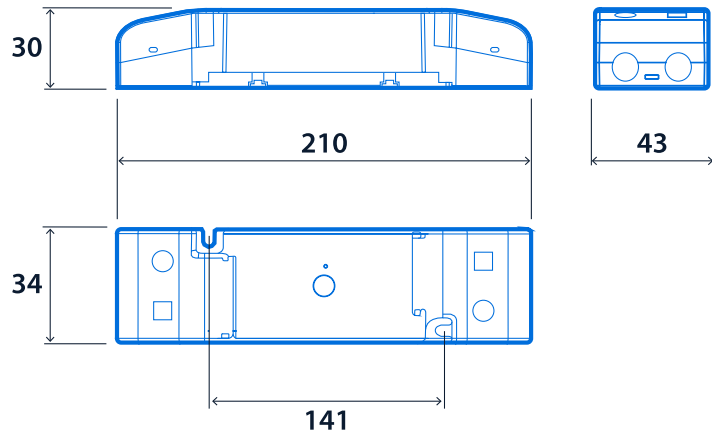
### Compliance

UKCA	Yes	CE	Yes
------	-----	----	-----

Dimensions



Standard Remote Driver



Cut-out - Ø 176  
 Minimum ceiling void - 210



[Click or scan here](#)  
 View Swivix variants using our  
 online filtering tool

Information is correct as of 29-Dec-2024, however must not be interpreted as a guarantee of individual product performance and/or characteristics. We reserve the right to alter specifications and designs without prior notice.