

Adjustable emergency 2 W LED spotlights for open areas

IP40 adjustable emergency 2 W LED spotlights for open areas. Toughened glass lamp cover.

Applications: Ideally suited for use in areas where more conventional methods of emergency lighting are not practical.

- Three hour, maintained emergency operation
- Available with narrow (29°) or wide (63°) beam
- Adjustable lamp head
- Suitable for wall or ceiling mounting
- Simple to install, full status reporting SmartScan wireless communication versions



IP40

0 LL/CW

Specification

Mounting	Surface	IP rating	IP40
----------	---------	-----------	------

Emergency data

Emergency lumen output	260 lm	Emergency type	Maintained (wire link may be removed to enable non-maintained operation)
Emergency duration	3 hours	Battery specification	Nickel Metal Hydride (NiMH)

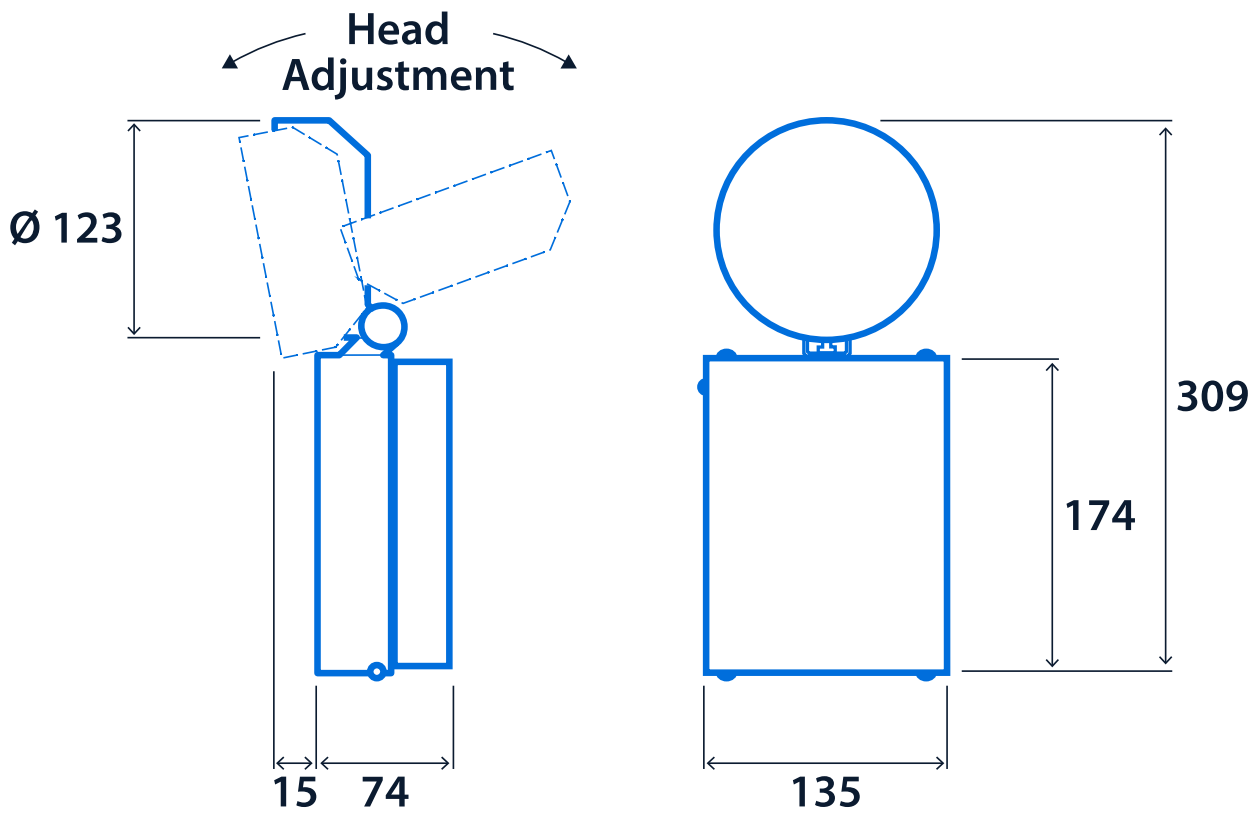
Power

LED power	2 W	Circuit power	2 W
-----------	-----	---------------	-----

Compliance

UKCA	Yes	CE	Yes
------	-----	----	-----

Dimensions



Click or scan here
View Uni-Spot variants using
our online filtering tool



Information is correct as of 29-Dec-2024, however must not be interpreted as a guarantee of individual product performance and/or characteristics. We reserve the right to alter specifications and designs without prior notice.